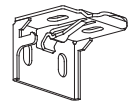


## BASICS

A few simple tools are required:

- Measuring tape
- Carpenters Level
- Power drill or Phillips head Screwdriver
- 1/4" Hex head and/or Phillips driver bit

Additional fasteners other than those sent with your shading may be required depending on the mounting surface. Wallboard and plaster require the use of anchors such as expansion or toggle bolts. Brick, tile or stone need special plugs and drill bits. Remember to always pre-drill holes in wood to avoid splitting.



Ultra Sleek Mounting Bracket

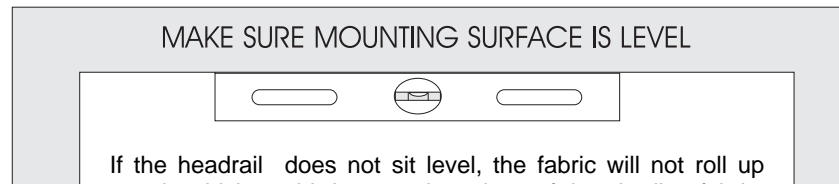


"U" Shim for Headrail bracket



1 1/4" Hex Head Bracket Screw

## Step 1. BRACKET INSTALLATION

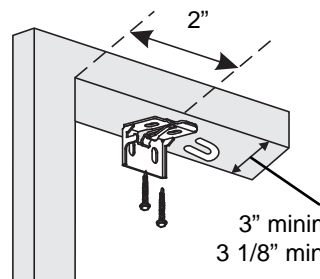


MAKE SURE MOUNTING SURFACE IS LEVEL

If the headrail does not sit level, the fabric will not roll up evenly which could damage the edges of the shading fabric. Use shims if necessary to level brackets.

The End brackets should be located with centerlines 2" in from each end. Depending on the width of the shading, necessary additional brackets may be evenly spaced between the two end brackets.

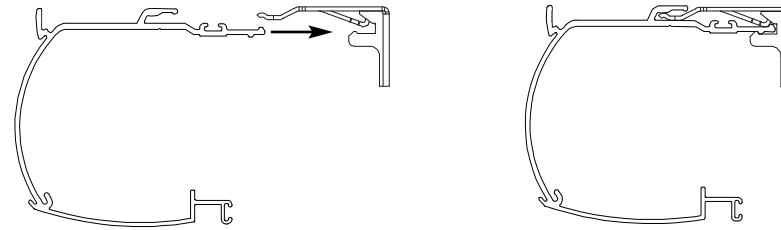
Shade width	# Brackets
Up to 40"	2
>40" - 72"	3



1 1/8" minimum  
3" minimum for flush mount to the top of the head rail  
3 1/8" minimum for flush mount to the face of the headrail

Use shims if necessary to ensure that the headrail is mounted level (included).

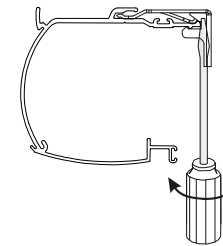
## Step 2. HANGING THE SHADE



Push the rail back until it is fully engaged.

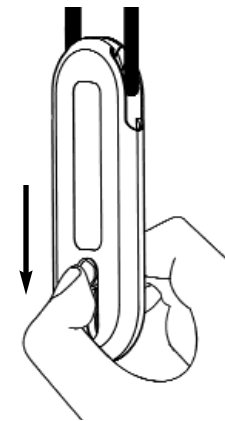
### Un-Install Headrail

To remove the shading, partially lower the shading and insert a flat head screwdriver as shown. Twist the screwdriver until the headrail disengages from the bracket.



## Step 3. POSITION TENSIONER

Your window shade has arrived with the cord tensioner positioned near the head rail to comply with current WCMA child safety standards. The cord tensioner must be mounted and secured before the window shade will operate correctly. To position the tensioner, grasp the screw hole and pull down to release the lock. Pull the cord through the tensioner until the tensioner is at the bottom of the cord loop. This should allow enough movement of the cord for shade installation. The tensioner will be mounted in a later step.

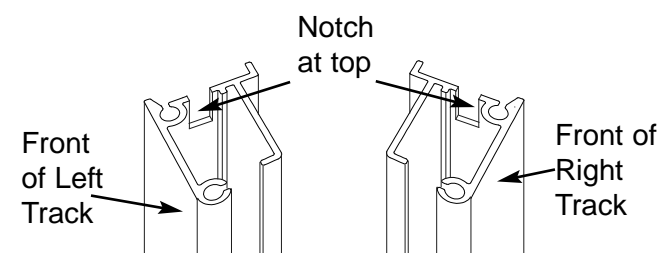


## Step 4. TRACK MOUNTING

**Note: Do not remove release liner from the magnets yet.**

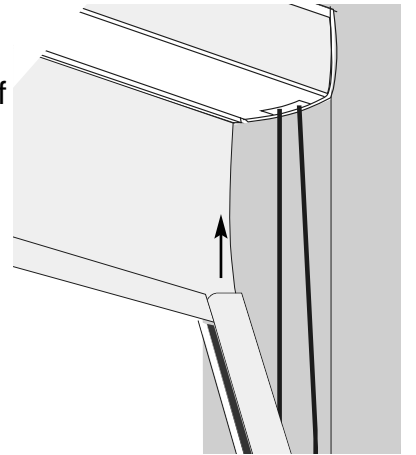
Lower the shade a few inches to make track installation easier.

Locate the top end of the right track.



Slide the fabric lip into the track. Slide the track up so that the top of the track goes into the slot on the headrail.

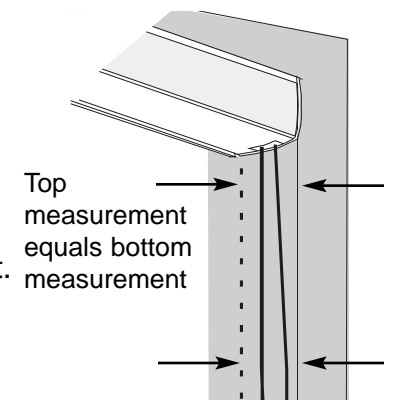
The inner black track should be even with the bottom of the outer track.



While holding the track in place, measure the distance from the front of the track to the edge of the window frame at the top.

Mark the bottom of window at the same point as the top measurement.

Repeat for the other side.



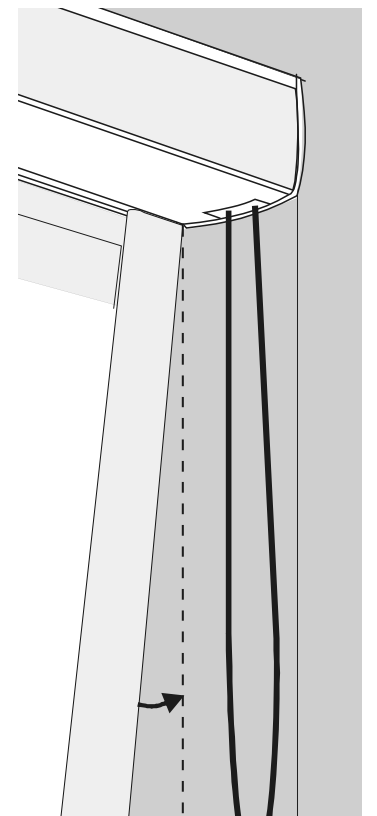
Raise the shade.

Peel the release liner of the track. Make sure that you have the track in the correct orientation.

Slide the fabric into the track but keep the track away from the edge of the window so that the exposed adhesive does not touch the wall.

Starting at the top, push the track in keeping front edge lined up with the marks. Press to adhere.

The tracks are held in place with a magnet and can be removed for cleaning or re-tracking of the fabric.



## Step 5. MOUNT CORD TENSIONER

**CHILD SAFETY**  
Install Tension Device



**WARNING**

The tension device reduces the hazards of strangulation and entanglement of young children by limiting access to the control cord.

### Attention!

The cord tensioner must be installed to make the shade fully operable.

Pull down on the screw hole of the tensioner to position the tensioner at the bottom of the cord loop.

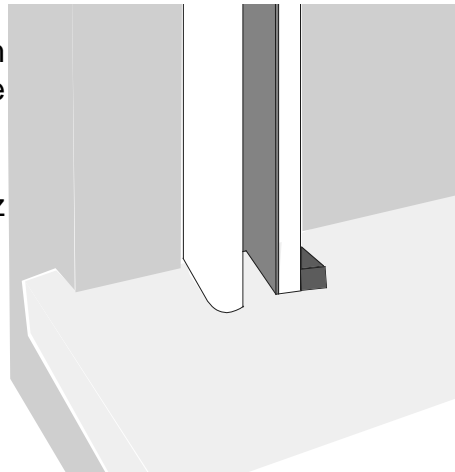
Please read the instructions included in the mounting hardware packet prior to installation.

## Step 6. IMPORTANT FILL LIGHT GAPS

The Roller SlumberShade is designed to block light gaps with the blackout tracks. However, not all windows are perfectly square and light gaps may still exist. To block these light gaps, use the foam/ and or fuzz bar that is provided.

We recommend placing foam on the sill directly behind the side tracks.

Use the rest of the foam/fuzz as needed to block light.



## TROUBLE SHOOTING

### Fabric comes out of the track

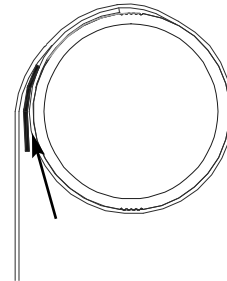
If the fabric comes out of the track, simply raise and then lower the shade. The fabric should re-track. If it doesn't re-track remove the track, feed the fabric back into the track and put the track back in place.

### Shade binds or does not raise evenly

1) Make sure the mounting brackets are mounted level with each other.

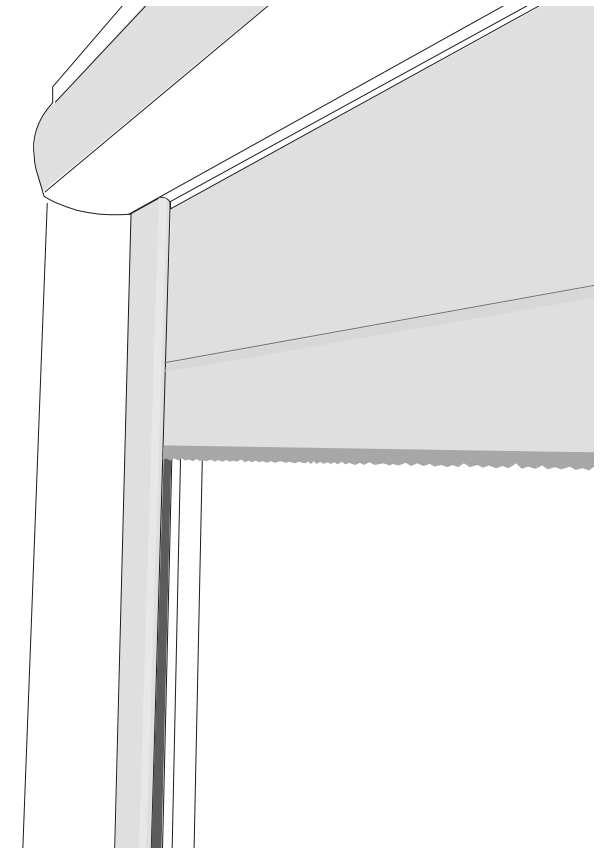
2) Remove the tracks. Operate the shade to see if the fabric skews to one side.

If the head rail is level and the fabric is still skewing, lower the shade all of the way down. Prepare a strip of masking tape approximately 5" long. On the side of the shade opposite of the skewing direction, and as close to the end of the roller as possible, lift the fabric toward the back of the shade using your fingers and slide the tape with the sticky side facing the roller up as far as possible. The tape is to be running parallel to the roller.



Roll the shade up and check for skewing. If the shade is still skewing, add another strip of tape on top of the first one. If the shade is now skewing to the opposite direction, tear off about 1" of tape from the last strip installed. The tape is to be torn from the end closest to the center of the shade.

Re-install the tracks.



**Roller SlumberShade**  
with blackout sidetracks

Installation Instructions