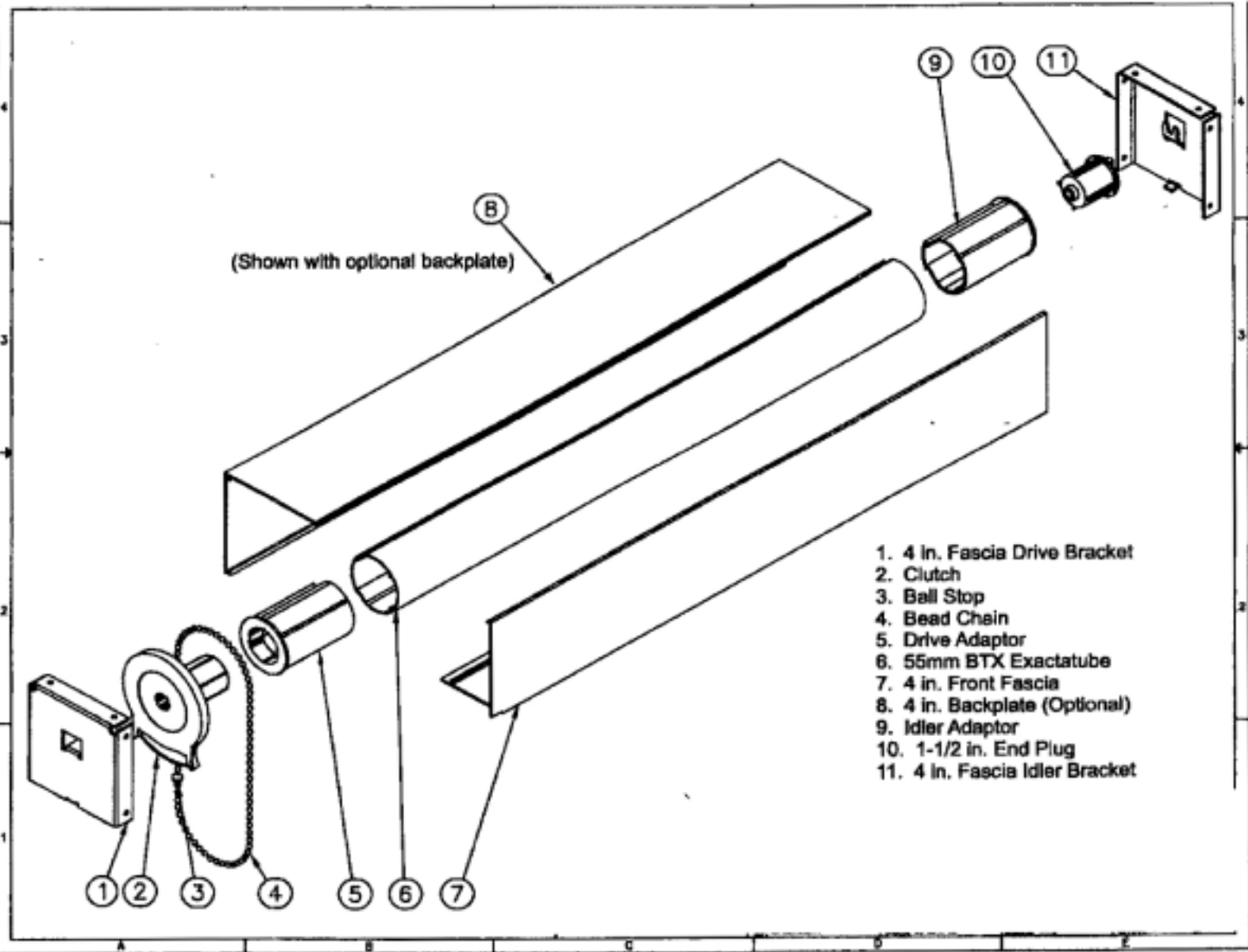


Light Blocking Fascia (Written Instructions on Page 2 of this PDF)



Light Blocking Fascia Instructions

Screws supplied-4 Short and 4 Long Self Drilling Screws.

Your installation may require different screws to mount the brackets to the wall.

If your system is motorized disregard drawing parts #2,#3,#4,#5 & #9

System consists of 2 End Plates Part #1 and #11

Back Plate #8 and Front Fascia Plate # 7

The inside of the Back Plate is the mounting surface for the Battery Wand -1 Set of Brackets or Dual Battery Wands-2 sets of Brackets.

The Back Plate is marked where End Plate #1 and #11 will be installed-open side down. There are four predrilled holes for each End Plate.

Determine if you will install the brackets to the Top using the upper Holes or the Facing using the Back Holes. You can also install inside the opening by drilling holes through the sides of the brackets. Screws must be flush and away from the shade area.

Step #1-Assemble the End Plates #1 & #11 to the Back Plate.

Secure each with two **short** self drilling screws through the holes you **WILL NOT** be using to mount the brackets to the wall. Leave screws slightly loose if any adjustments must be made. On completion of #2 tighten.

Step #2-Install the (Step #1) assembled unit to the Window frame using four **long** self drilling through the two unused holes on each bracket. Confirm the installation is secure.

Step #3-. Install Battery Wand Clips (2 or 4) through drilled holes in back plate. Slide the Rubber Bands on the Wand(s) so they align with the Clips. Install the Battery Wand(s) into the mounting Clips with the wire plug facing the End Plate #1 Unwind wire so it can be plugged into the motor.

Step #4-Installed Motor into the shade Roller aligning with the Internal Key.

Step #5-Connect external Receiver Eye **Infra Red System only** (*if not already done*) mini plug to the matching port on the Motor. Receiver Eye must pass through the shade slot and be located to receive Infra Red Signal use self adhesive back or screw. Do not install on front Fascia plate *that would prevents removal to access the shade.*

Step #6-Connect Battery Wand plug to the Motor at the matching Port. Follow motor programming instructions.

With the Fascia Cover in place use matching caulk to stop any stray light leaks.

Follow the additional instructions for:

Installing the shade.

Programming the Motor

Checking the shade is rolling correctly.

Closing the Front Fascia Cover.